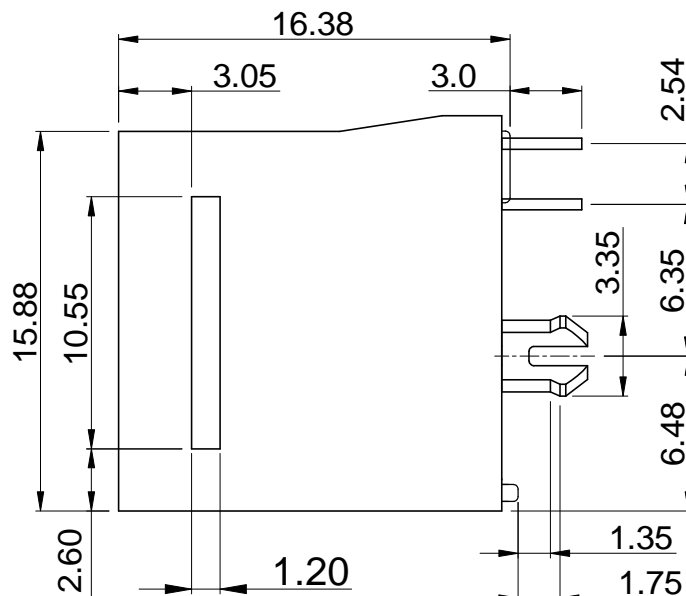
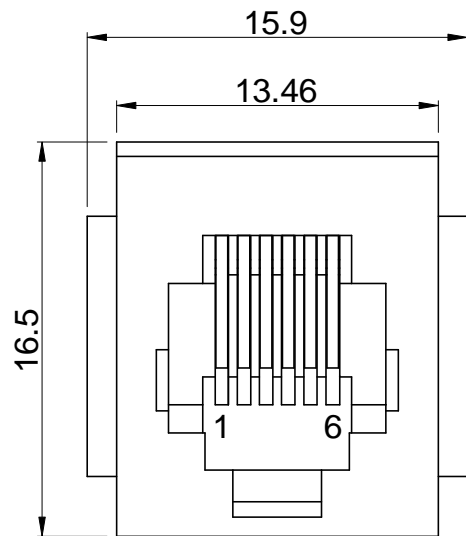


RoHS&REACH

REV.	DESCRIPTION	DATE
A	NEW	2024.12.21

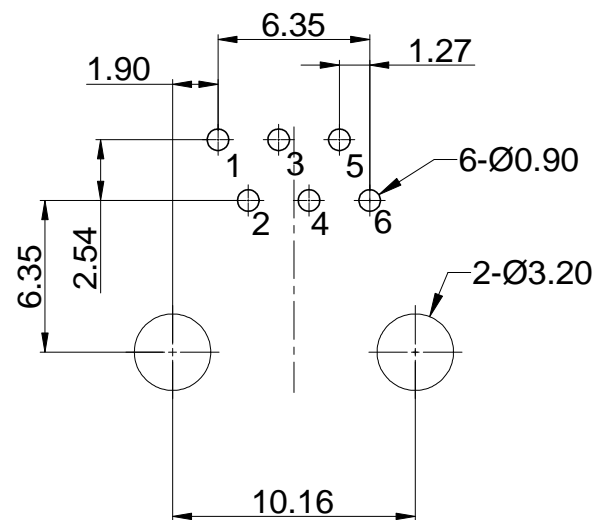


材料Material:

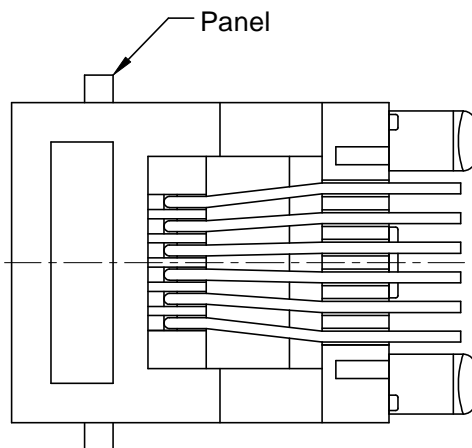
- 外壳材质: PBT,PA46 (UL 94V-0)
Housing Material: PBT,PA46 (UL 94V-0)
- 触点材料: 圆针直径0.46mm磷青铜; 镀镍后镀金
Contact Material: Round Pins-0.46mm Diameter
Phosphor Bronze;Gold Plating Over Nickel

电气Electrical:

- 额定电压: 125伏
Voltage Rating : 125 V Rms
- 额定电流: 1.5安培
Current Rating: 1.5 AMP
- 接触电阻: 最大30毫欧
Contact Resistance: 30 Milliohms MaX
- 绝缘电阻: 500V下, 绝缘最小500兆欧
Insulation Resistance: 500 megohms min @500V
- 绝缘耐压: 50-60Hz 1000V AC, 1分钟
DIELECTRIC STRENGTH:1000V AC 50Hzor 60Hz, 1MIN.
- 耐久: 插拔750次以上
Durability: 750 Cycles Min
- 工作温度: -40°C ~+85°C
Operation Temperature: -40°C ~+85°C



PC Board Layout
Component Side Shown



5201 - X X X X X X

Positions	Contacts	Panel	Plastic	Color	Gold Plating
4,6,8	2,4,6,8	0-w/0 Panel 1-w/Panel	1-PBT 2-PA46 3-Other	1-Black 2-Gray 3-Other	1-G/Fu" 2-1u" 3-3u" 4-6u" 5-15u" 6-Other

DRAWN BY: FANG	TOLERANCE UNSPECIFIED	SIZE: 1:1	HL [®]	恒连电子科技有限公司 EVERCOM ELECTRONIC TECHNOLOGY CO.,LTD
CHECKED BY: FANG	X: ±0.50 ±2.0° .X: ±0.38 ±1.5° .XX: ±0.25 ±1.0° XXX: ±0.15 ±0.5°	UNIT: mm SIZE: A4		
APPROVED BY: DING	PROJECTION	REV: A	TITLE: 5201 6P6C 有边	
		SHEET 1 OF 1	PART NO: 5201-661XXX	http://www.chinarj45.com